

# CRATHCO Autofill

**No More Refilling.  
No More Downtime.**

NEW Simplicity Bubbler Autofill Lids automate your beverage program and keep your profits on track. Autofill ensures your Bubblers are consistently full and fresh all day long.



Ideal for Bag-in-Box  
& In-House  
Concentrate Programs

SIMPLICITY BUBBLER AUTOFILL LID

CRATHCO

# SIMPLICITY BUBBLER AUTOFILL LID

## Streamline Beverage Operations

Replace your current Simplicity Bubbler lid with Crathco's Autofill Lid System. Your cold/non-carbonated dispensed offerings will always be fresh and available,

- **Increased Visual Appeal** – always available, increasing sales
- **Enhanced Accuracy and Consistency** – automatically adds the perfect amount of water and syrup every time
- **Reduced Labor** – keeps staff focused on customers
- **Minimizes Training** – simple set-up and operation
- **Reduced Downtime** – manual re-filling is time-consuming
- **Increased Food Safety** – minimal exposure to product
- **Seamless Integration** – update existing equipment or your entire system
- **Waste Reduction** – prevents loss from incorrectly mixed product
- **Versatile** – perfect for BIB or in-house syrup programs



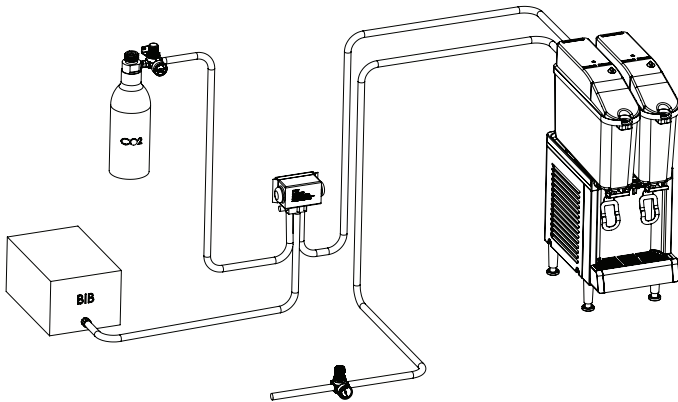
**Crathco Autofill Lid  
Reduces Labor and Redirects  
Staff to Customers**



### HERE'S HOW AUTOFILL WORKS

*Parts included: 1 water regulator, 2@1/4" fitting threads, 3/8" tubing, 1 pressure gauge, 2@3/8" elbow coupling connector tubing*

- Automatically senses drink volume through integrated lid sensor.
- When level falls below the probe, fill tube automatically refills the bowl with the perfect blend of BIB syrup and water.
- Post Mix process mixes beverage syrup in the bowl.
- "Sold Out" switch alerts operator (by red indicator lights) syrup is low or water connection needs attention.
- Beverage syrup ratio can be set to specific needs. Controlled by gas pressure and reducing valve.
- Integrated LED light improves product display.



### SPECIFICATIONS

Model	Description	Electrical	Product Dimensions H x W x D	Shipping Dimensions H x W x D	Product Wt.	Shipping Wt.
LV606096	Autofill Simplicity AFS-29-16	120V 60hz 1ph 3A	17.8" x 6.7" x 4.8"	20.28" x 16.1" x 9.57"	7.4 lbs	16.5 lbs
LV606176	Body Assembly, Autofill Simplicity W/O Accessory	120V 60hz 1ph 3A	17.8" x 6.7" x 4.8"	20.28" x 16.1" x 9.57"	3.5 lbs.	8 lbs.

Water Supply: Min 30psi/Max 120psi • CO<sub>2</sub>: Max 60psi • Low Pressure Cut-Off: <5psi Compatible with Simplicity Bubbler Models CS-2E-16 and CS-4E-16 \*Includes Water Level Probe

Part of



**CRATHCO**  
www.crathco.com